

Pneumatic Fittings

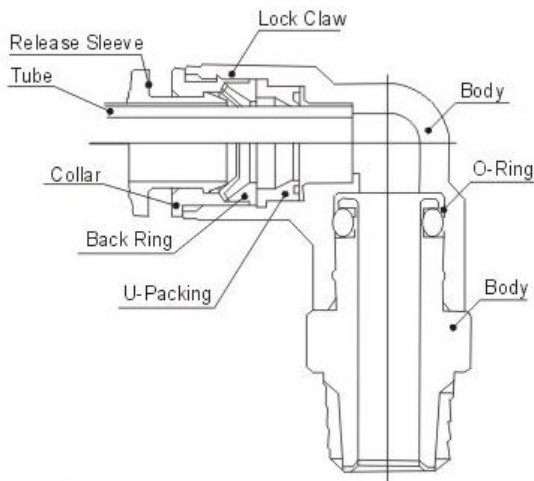




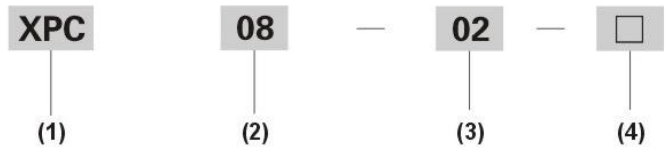
Features

- One-Touch push-to-connect configuration allows an instant tubing connection.
- Smooth-Edge release sleeve design facilitates a quick tubing disconnection.
- Aesthetically pleasing nickel-plated metallic optional feature ensures anticorrosion and anti-contamination properties of an extended product life.
- Pre-applied sealant on all external threads eliminates the additional sealing requirement.
- Internal and/of external flat-to-flat hexagonal configurations for both metric and inch specifications allow a proper tightening or directional orientation upon installation by using L key or allen wrench for the applicable model types.

Construction



Mode Designation



Taper Pipe Thread

R(PT) Thread				
Code	01	02	03	04
Size	R1/8"	R1/4"	R3/8"	R1/2"
G(PF) Thread				
Code	G01	G02	G03	G04
Size	G1/8"	G1/4"	G3/8"	G1/2"
NPT Thread				
Code	N1	N2	N3	N4
Size	NPT1/8"	NPT1/4"	NPT3/8"	NPT1/2"

Specification

(1) Mode Type

Fluid Type	Air, Vacuum
Operating Pressure	0~1.0Mpa (0~145psi)
Negative Pressure	0~60°C
Tube Material	Nylon and Polyurethane

(2) Tube Outer Diameter (φD)

	Metric Tube						Inch Tube				
Code	04	06	08	10	12	14	16	1/4"	5/16"	3/8"	□
φD	4mm	6mm	8mm	10mm	12mm	14mm	16mm	1/4"	5/16"	3/8"	□

(3) Thread Type & Size

Metric Size			
Code	M5	M6	M8
Size	M5×0.8	M6×1	M8×1

(4) Body Color Code

No Code: Black Color C: Grey Color

XPC



MODEL	PRICE
	\$1.52
XPC 04-G02	\$1.52
XPC 06-G01	\$1.52
XPC 06-G02	\$1.52
XPC 06-G03	\$2.24
XPC 06-G04	\$3.84
XPC 08-G01	\$1.60
XPC 08-G02	\$1.60
XPC 08-G03	\$2.24
XPC 08-G04	\$3.84

XPCF



MODEL	PRICE
XPCF 04-G01	\$2.16
XPCF 04-G02	\$2.16
XPCF 06-G01	\$2.16
XPCF 06-G02	\$2.24
XPCF 06-G03	\$2.48
XPCF 08-G01	\$2.24
XPCF 08-G02	\$2.24
XPCF 08-G03	\$2.48
XPCF 08-G04	\$4.32

XPM



MODEL	PRICE
XPM 04	\$3.28
XPM 06	\$3.28
XPM 08	\$3.92



XPMF



MODEL	PRICE
XPMF 04-01	\$2.64
XPMF 04-02	\$3.84
XPMF 06-01	\$3.92
XPMF 06-02	\$4.40
XPMF 06-03	\$4.64
XPMF 08-01	\$4.64
XPMF 08-02	\$4.72
XPMF 08-03	\$7.36
XPMF 08-04	\$7.84

XPL



MODEL	PRICE
XPL 04-G01	\$1.68
XPL 04-G02	\$1.68
XPL 06-G01	\$1.68
XPL 06-G02	\$2.40
XPL 06-G03	\$2.64
XPL 06-G04	\$4.56
XPL 08-G01	\$2.40
XPL 08-G02	\$2.64
XPL 08-G03	\$2.64
XPL 08-G04	\$4.56

XPLF



MODEL	PRICE
XPLF 06-G01	\$2.64
XPLF 06-G02	\$2.96
XPLF 08-G01	\$2.88
XPLF 08-G02	\$2.96



XPLL



MODEL	PRICE
XPLL 06-G01	\$2.96
XPLL 06-G02	\$2.96
XPLL 08-G01	\$3.28
XPLL 08-G02	\$3.28

XPV



MODEL	PRICE
XPV 04	\$1.20
XPV 06	\$1.36
XPV 08	\$1.36

XPB



MODEL	PRICE
XPB 06-G01	\$3.28
XPB 06-G02	\$3.28
XPB 08-G01	\$3.68
XPB 08-G02	\$3.68
XPB 08-G03	\$4.24



XPD



MODEL	PRICE
XPD 06-G01	\$3.28
XPD 06-G02	\$3.28
XPD 08-G01	\$3.68
XPD 08-G02	\$3.68

XPE



MODEL	PRICE
XPE 04	\$1.36
XPE 06	\$1.76
XPE 08	\$1.76

XPEG



MODEL	PRICE
XPEG 06-04	\$2.32
XPEG 08-06	\$2.40



XPG



MODEL	PRICE
XPG 06-04	\$1.28
XPG 08-06	\$1.44
XPG 10-08	\$1.76

XPGE



MODEL	PRICE
XPEG 06-04	\$2.32
XPEG 08-06	\$2.40

XPH



MODEL	PRICE
XPH 04-G01	\$4.16
XPH 06-G01	\$3.84
XPH 06-G02	\$4.48
XPH 08-G01	\$5.92
XPH 08-G02	\$4.72
XPH 08-G03	\$5.44



XPB



MODEL	PRICE
XPB 04	\$3.60
XPB 06	\$4.00
XPB 08	\$4.80
XPBG 06-04	\$3.60
XPBG 08-06	\$4.08

XPP



MODEL	PRICE
XPP 4	\$0.64
XPP 6	\$0.72
XPP 8	\$0.88

XPU



MODEL	PRICE
XPU 04	\$1.12
XPU 06	\$1.28
XPU 08	\$1.44



XPW



MODEL	PRICE
XPW 06-04	\$2.48
XPW 08-06	\$2.48

XPX



MODEL	PRICE
XPX 06-G01	\$3.28
XPX 06-G02	\$3.28
XPX 08-G01	\$3.68
XPX 08-G02	\$3.68
XPX 08-G03	\$4.24

XPY



MODEL	PRICE
XPY 04	\$1.36
XPY 06	\$1.76
XPY 08	\$1.76



XPZA



MODEL	PRICE
XPZA 04	\$2.48
XPZA 06	\$3.12
XZA 08	\$3.20

XHVFF



MODEL	PRICE
XHVFF 06-06	\$14.00
XHVFF 08-08	\$15.60

XJSC



MODEL	PRICE
XJSC 04-G01	\$5.92
XJSC 04-G02	\$5.92
XJSC 06-G01	\$5.92
XJSC 06-G02	\$5.92
XJSC 06-G03	\$9.04
XJSC 06-G04	\$11.84
XJSC 08-G01	\$5.92
XJSC 08-G02	\$5.92
XJSC 08-G03	\$5.44
XJSC 08-G04	\$11.84



XPA



MODEL	PRICE
XPA 04	\$8.00
XPA 06	\$8.16
XPA 08	\$8.72

B Type Series Muffler



MODEL	PRICE
-6B 1/8"	\$1.56
-8B 1/4"	\$2.76
10B 3/8"	\$2.88
15B 1/2"	\$4.16

B Type Exhaust Muffling Throttle Valve



MODEL	PRICE
B-6 1/8"	\$4.64
B-8 1/4"	\$4.96
B-10 3/8"	\$7.20
B-15 1/2"	\$9.84



C Type Exhaust Muffling Throttle Valve



MODEL	PRICE
C-6 1/8"	\$5.36
C-8 1/4"	\$6.96
C-10 3/8"	\$9.60
C-15 1/2"	\$13.92

D Type Series Muffler



MODEL	PRICE
D-8	\$2.44

V Type Series Muffler B Type Series Muffler



MODEL	PRICE
-M5 M5	\$0.80
-6V 1/8"	\$0.88
-8V 1/4"	\$1.36
-10V 3/8"	\$2.32
-15V 1/2"	\$3.04



SD Type Series Muffling



MODEL	PRICE
SD-6	\$3.12
SD-8	\$3.92
SD-10	\$7.76
SD-15	\$12.88

Air Gun



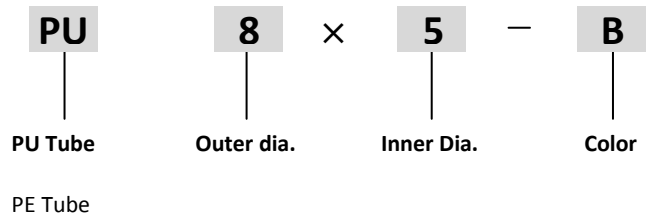
MODEL	PRICE
AG-A-S	\$6.64

MODEL	PRICE
AG-A-L	\$7.44

Pipe



Ordering Code



Specification

Working Medium	Air
Working-Pressure	0~1.0Mpa (0~145psi)
Ambient Temperature	-15~60°C

- Good endurance of vibration, corrosion abrasion and friction.
- Easily use with its light weight
- Fits for kinds of joint connector with its high precision.

MODEL	PRICE
PU86BU	\$0.98/meter
PU64BU	\$0.60/meter
PU42.5BU	\$0.45/meter