

YAPS ELECTRO

Air Source Treatment Units



Catalog 2013

XAC1000~5000 Series Air Filter combination (F.R.L. Combination)

Ordering Code

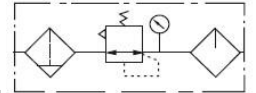


XAC5000-10

XAC4000-04

XAC1000-M5

XA	C	3000	04	<input type="checkbox"/>
Series XA series	Function code F.R.L. Combination	Specification Code 1000 2000 3000 4000 5000	Port Size M5:M5×0.8 01:G1/8" 02:G1/4" 03:G3/8" 04:G1/2" 06:G3/4" 10:G1"	Drain Type Blank:Manual D:Auto Drain Type (Available for 2000 or above)

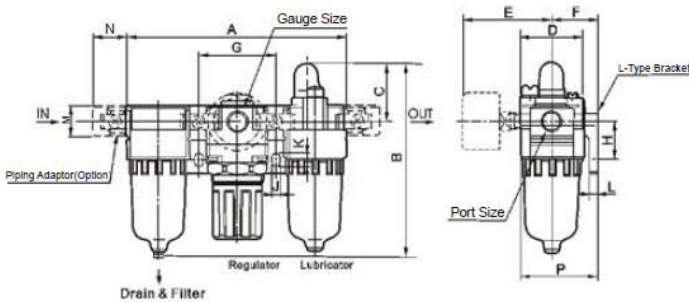


Graphic Symbol

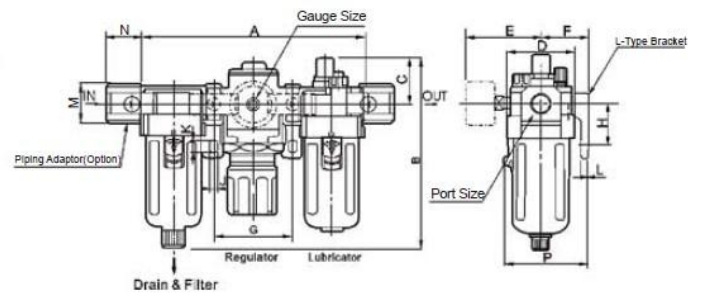
Specification

Model	XAC1000-M5	XAC2000-01	XAC2000-02	XAC3000-02	XAC3000-03	XAC4000-03	XAC4000-04	XAC4000-06	XAC5000-06	XAC5000-10	
Rated Flow	90	500	500	2000	2000	4000	4000	4500	5000	5000	
Port Size	M5	G1/8"	G1/4"	G1/4"	G3/8"	G3/8"	G1/2"	G3/4"	G3/4"	G1"	
Filter Precision	25μ										
Highest Working Pressure	1.0Mpa (145psi)										
Ensured pressure Resistance	1.5Mpa (217psi)										
Operating Temperature Range	5-60°C										
Range of Adjustable Pressure	0.05-0.7Mpa(7-101psi)	0.05-0.85Mpa (7.25-123psi)									
Recommended Oil Use	ISO VG 32										
Container Material	Polycarbonate										
Protective Cover	Not Available					Available					
Drain Function	Differential Drain					Differential Drain/Automatic Drain					
Valve Type	Filter										
Composing Elements	Filter	XAF1000-M5	XAF2000-01	XAF2000-02	XAF3000-02	XAF3000-03	XAF4000-03	XAF4000-04	XAF4000-06	XAF5000-06	XAF5000-10
	Regulator	XAR1000-M5	XAR2000-01	XAR2000-02	XAR3000-02	XAR3000-03	XAR4000-03	XAR4000-04	XAR4000-06	XAR5000-06	XAR5000-10
	Lubricator	XAL1000-M5	XAL2000-01	XAL2000-02	XAL3000-02	XAL3000-03	XAL4000-03	XAL4000-04	XAL4000-06	XAL5000-06	XAL5000-10

Overall Dimensions



XAC1000



XAC5000

Dimension Sheet

Model	Port Size(G)	A	B	C	D	E	F	G	H	J	K	L	M	N	P
XAC1000	M5	91	84.5	25.5	25	26	25	33	20	4.5	7.5	5	17.5	16	38.5
XAC2000	G1/8"-G1/4"	140	125	38	40	56.8	30	50	24	5.5	8.5	5	22	3	50
XAC3000	G1/4"-G3/8"	181	156.5	38	53	60.8	41	64	35	7	11	7	34.2	26	70.5
XAC4000	G3/8"-G1/2"	238	191.5	41	70	65.5	50	84	0	9	13	7	43.3	33	88
XAC4000-06	G3-G4"	153	193	40.5	70	69.5	50	89	40	9	13	7	46.2	36	88
XAC5000	G3/4"-G1"	300	271.5	48	90	75.5	69.8	105	50	12	16	10.5	55.5	40	115

Price

MODEL	PRICE
XAC2000-02	\$ 70.59

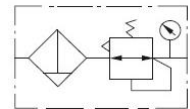
XAC1000~5000 Series Air Filter combination (F.R.L. Combination)

Ordering Code



XA	W	3000	04	
Series XA series	Function code Filter & Regulator	Specification Code 1000 2000 3000 4000 5000	Port Size M5:M5×0.8 01:G1/8" 02:G1/4" 03:G3/8" 04:G1/2" 06:G3/4" 10:G1"	Drain Type Blank:Manual Drain Type D:Auto Drain Type (Available for 2000 or above)

Graphic Symbol

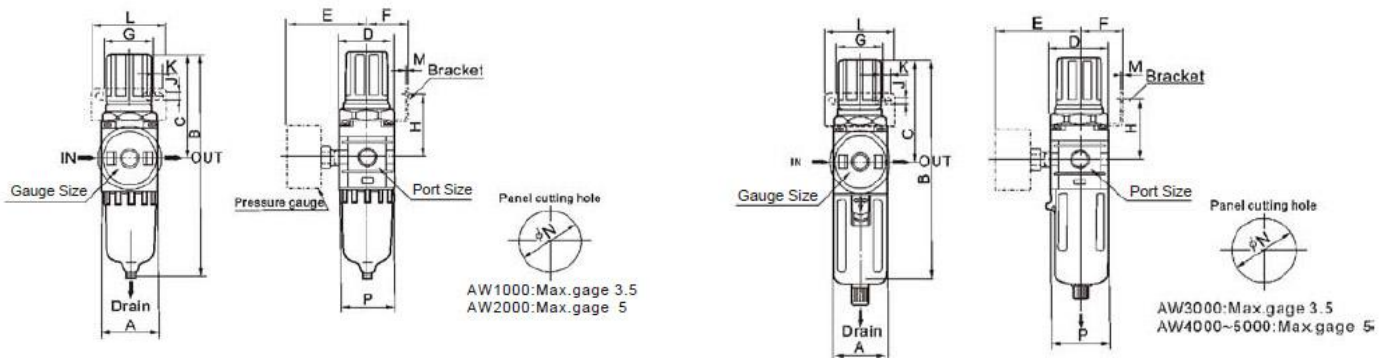


XAW5000-10 XAW4000-04 XAW1000-M5

Specification

Model	XAW1000-M5	XAW2000-01	XAW2000-02	XAW3000-02	XAW3000-03	XAW4000-03	XAW4000-04	XAW4000-06	XAW5000-06	XAW5000-10
Rated Flow	100	550	550	2000	2000	4000	4000	4500	5000	5000
Port Size	M5	G1/8"	G1/4"	G1/4"	G3/8"	G3/8"	G1/2"	G3/4"	G3/4"	G1"
Filter Precision	25μ									
Highest Working Pressure	1.0Mpa (145psi)									
Ensured pressure Resistance	1.5Mpa (217psi)									
Operating Temperature Range	5-60°C									
Range of Adjustable Pressure	0.05-0.7MPa(7~101psi)		0.05-0.85Mpa (7.25~123psi)							
Container Material	Polycarbonate									
Protective Cover	Not Available		Available							
Drain Function	Differential Drain									
Value Type	With Overflow									

Overall Dimensions



Dimension Sheet

Model	Port Size(G)	A	B	C	D	E	F	G	H	J	K	L	M	N	P
XAW1000	M5	25	109.5	50.5	25	26	25	28	30	4.5	6.5	40	2	20.5	28
XAW2000	G1/8"-G1/4"	40	164.5	78	40	56.8	30	34	43.5	5.4	15.4	55	2.3	33.5	40
XAW3000	G1/4"-G3/8"	53	211	92.5	53	60.8	39	40	46	6.5	8	53	2.3	42.5	56
XAW4000	G3/8"-1/2"	70	262	112	70	70.5	49.2	54	53.5	8.5	10.5	70	2.3	52.5	73
XAW4000-06	G3-4"	75	267	114	70	70.5	49.2	54	55.5	8.5	10.5	70	2.3	52.5	73
XAW5000	G3/4"-G1"	90	338	116	90	75.5	49.5	54	62	8.5	10.5	70	2.3	52.5	90

Price

MODEL	PRICE
XAW5000-06	\$ 52.59

XOU Series Air Source Treatment Unit



The XOU consisted of XOFR and XOL, each unit can be ordered separately. The XOF with water separator cleans the compressed air of fluid oil, condensation and dirt. Particles. For special application, the standard 40µm filter element may easily be replaced by a 5 µm filter element.

The XOR maintain imputing constant operating pressure despite fluctuation in line pressure and the amount of air consumed. The proportional lubricator adds a regulated quantity of oil to the filtered air. The oil-mist content proportional to the flow and oil can be added during operation. The oil drip rate is controlled by the adjustable bolt. Normally, 1 to 12 drops/1000L of the air is Sufficient.

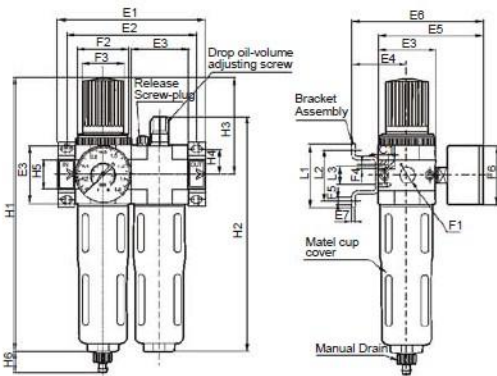
Ordering Code

XO	U	1/4	□	□	MINI
Series XO Series	Function code F.R.L Combination	Port Size G1/8" G1/2" G1/4" G3/4" G3/8" G1"	Grade of filtration Blank: 40 µm 5M: 5 µm	Manometer Blank: 12bar 7: 7bar	Size MINI MIDI MAXI

Specification

Service units		MINI			MIDI			MAXI	
Manual Drain	Working pressure: 12bar, 40µm	XOU-1/8-MINI	XOU-1/4-MINI	XOU-3/8-MINI	XOU-3/8-MIDI	XOU-1/2-MIDI	XOU-3/4-MIDI	XOU-3/4-MAXI	XOU-1-MAXI
	Working pressure: 7bar, 40µm	XOU-1/8-7-MINI	XOU-1/4-D-7-MINI	XOU-3/8-7-MINI	XOU-3/8-7-MIDI	XOU-1/2-7-MIDI	XOU-3/4-7-MIDI	XOU-3/4-7-MAXI	XOU-1-7-MAXI
	Working pressure: 12bar, 5µm	XOU-1/8-5M-MINI	XOU-1/4-5M-MINI	XOU-3/8-5M-MINI	XOU-3/8-5M-MIDI	XOU-1/2-5M-MIDI	XOU-3/4-5M-MIDI	XOU-3/4-5M-MAXI	XOU-1-5M-MAXI
Manometer	0-12bar	OMA-40-16-1/8			OMA-50-16-1/4				
	0-7bar	OMA-40-10-1/8			OMA-50-10-1/4				
Medium		Compressed Air							
Features of structure		Sintered filter with water separator; MINI/MIDI/MAXI: Piston regulator; Diaphragm type regulator; Direct constant-density lubricator							
Mounting type		Pipe mounting or foot mounting							
Assembly position		Vertical ± 5°							
Connection		G1/8"	G1/4"	G3/8"	G3/8"	G1/2"	G3/4"	G3/4"	G1"
Standard nominal flow rate	XOU-...(-A)	700	1000	1200	2000	2600	2600	7000	8000
	XOU-...-7(-A)	800	1300	1500	2500	2800	2800	8500	8700
	XOU-...-5M(-A)	600	850	1050	1700	1800	2100	6500	7200
Primary	Manual condensate drain	1-16bar							
	Automatic condensate drain	1.5-12bar							
Working pressure		0.5-12bar/0.5-7bar							
Min. Standard nominal flow rate		3 L/min			6 L/min			10 L/min	
Grade of filtration		40 m/5 m							
Capacity of condensate fluid		22ml							
Temperature range		0-60°C							
Materials information		Housing: Zinc die-casting; Filter bowl and oil bowl: PC; Meta bowl guard: Aluminium alloy; Sealing: NBR; Adjusting knob: POM							

Overall Dimensions



Dimension Sheet

Model	E1	E2	E3	E4	E5	E6	E7	F1	F2				
XOU-...-MINI	104	92	40	39	76	95	2	G1/8", G1/4", G3/8"	M36*1.5				
XOU-...-MIDI	140	125	55	47	93	112	3	G1/8", G1/2", G3/4"	M52*1.5				
XOU-...-MAXI	162, 182	146, 157	66	53	104	124	3	G3/4", G1"	M36*1.5				
Model	F3	F4	F5	F6	L1	L2	L3	H1	H2	H3	H4	H5	H6
XOU-...-MINI	31	M4	4.5	40	44	35	11	194	169	69	17.5	20	15
XOU-...-MIDI	50	M5	5.5	52	71	60	22	50	206	97	24.5	32	15
XOU-...-MAXI	31	M5	5.5	63	71	60	22	252	23	80	24.5	32, 40	15

Price

MODEL	PRICE
XOU-1/8 MINI	\$ 80.59